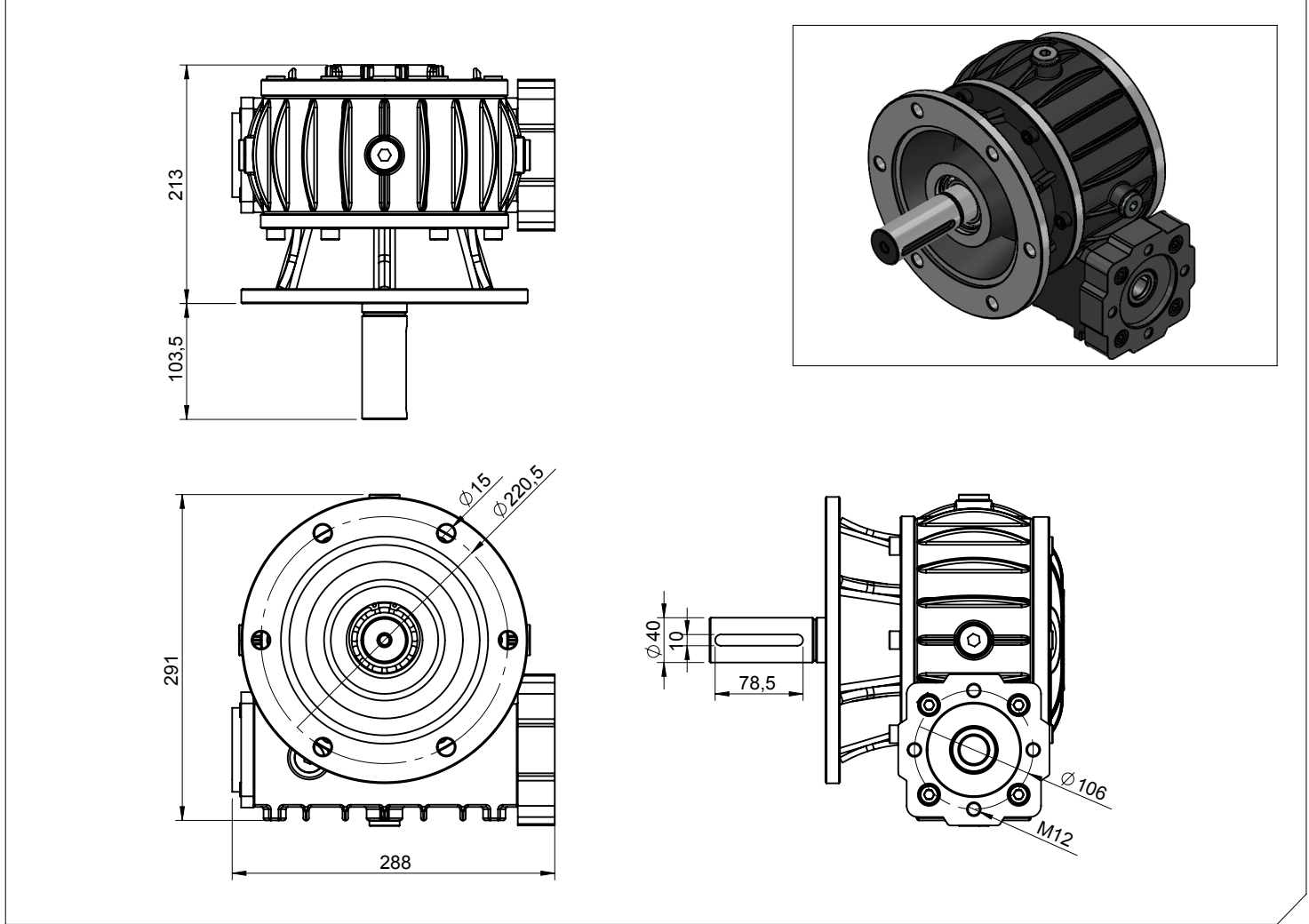


Application Type	Universal
Gearbox Type	Worm Gear Mechanism

Product Code	<b>KRD.07</b>
--------------	---------------



### Products Views



### Component Details

A : Reduktor Input (Optional)  
B : Reduktor Output (Optional)

### Technical Details

Power	Maximum Torque		Input/Output	Mounting Type	Sense of Rotation
	Nm	kgm			
kW				Split Shaft	
50	477	48	38/1	Weight	
				37 kg	CW-CCW