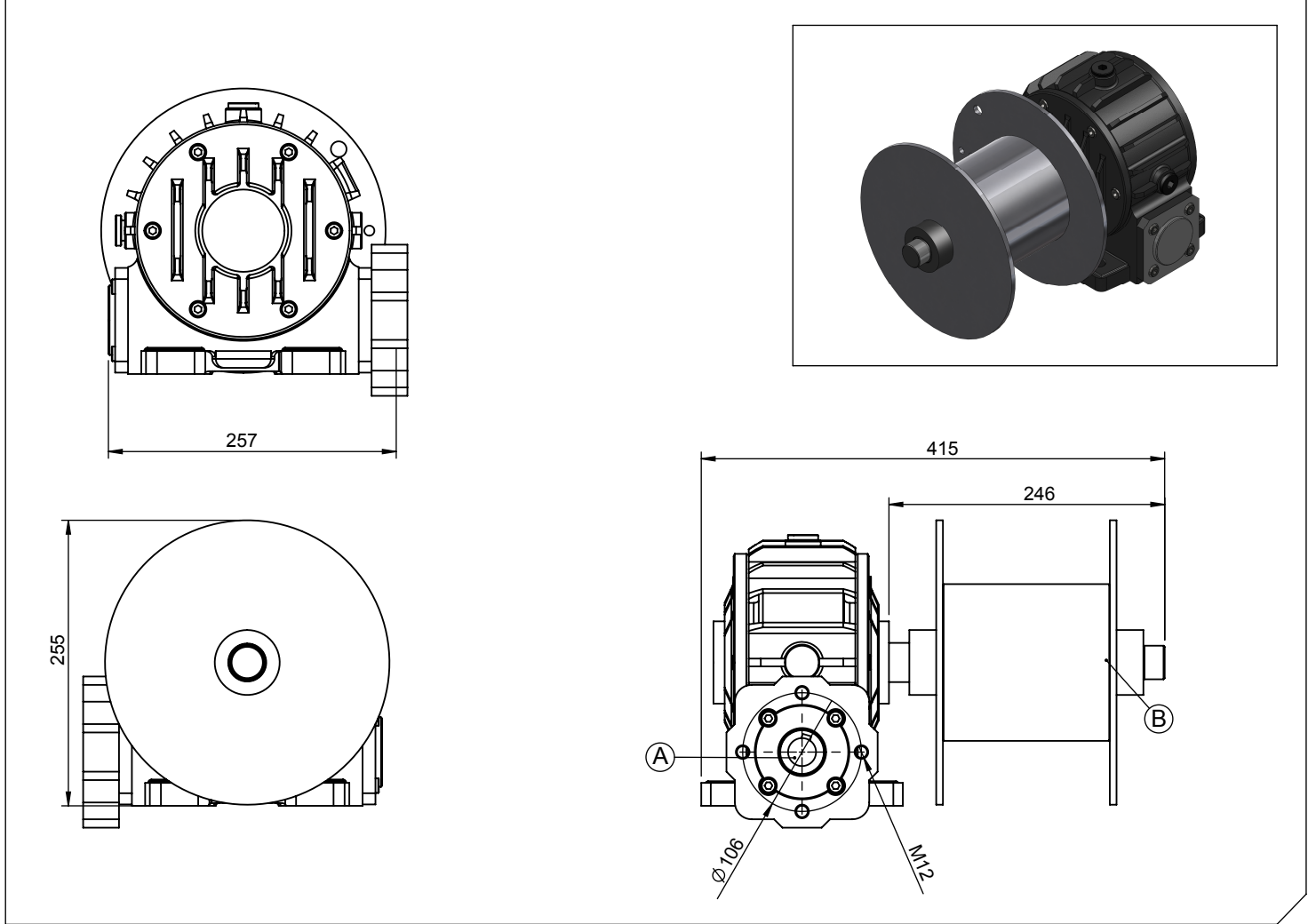


Application Type	Universal
Gearbox Type	Worm Gear Mechanism

Product Code	KRD.08
---------------------	---------------



Products Views



Component Details

A : Reduktor Input (Optional)	
B : Reduktor Output (Optional)	

Technical Details

Power	Maximum Torque		Input/Output	Mounting Type	Sense of Rotation
	Nm	kgm			
kW				Split Shaft	
35	335	34	28/1	Weight	
				27 kg	CW-CCW