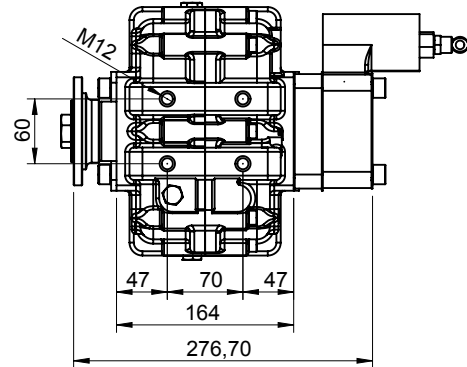
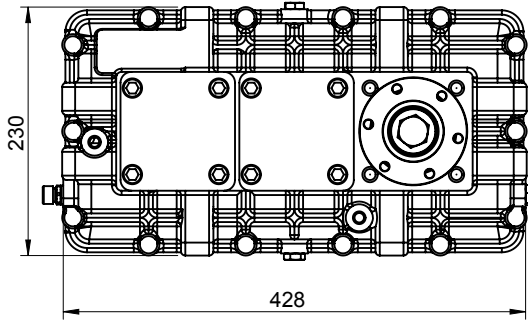
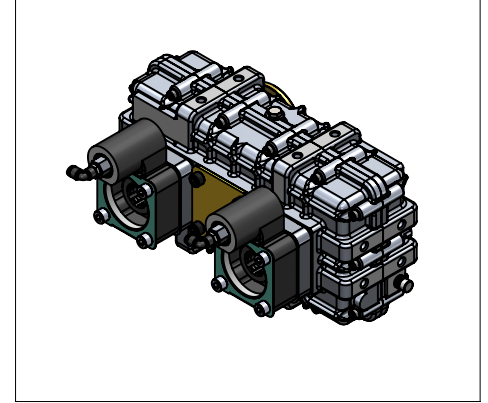
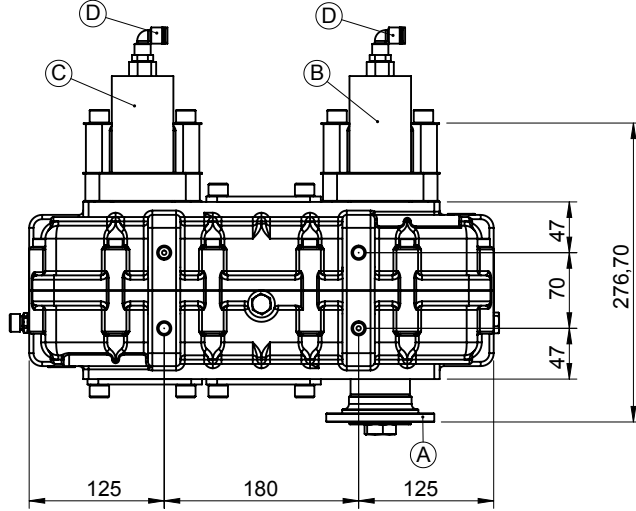


Application Type	Horizontal or Vertical Usage
Gearbox Type	3 Axis RPM Increaser/Decreaser

Product Code	KRD.28.3
Revision No- Date	00 / 17.06.2017



Products Views



Component Details

- A : Input Flange
- B : Output ISO 14 DIN 5462 (ISO 4 Bolt)
- C : Output ISO 14 DIN 5462 (ISO 4 Bolt)
- D : Sensor (Optional)
- E : Air Input - Engagement - Disengagement

Technical Details

Outputs	Max. Power	Max. Torque		Input/Output	Mounting Type	Control Type
	kW	Nm	Kgm			
A		1421	145		Split Shaft	Pneumatic
B	50	480	49	1/1		
C	50	480	49	1/0,79 1/1,12 1/1,51	Weight	Sense of Rotation
				1/0,89 1/1,19 1/1,60		
				1/0,94 1/1,26 1/1,69	36 kg	Same as Input
				1/1 1/1,33 1/2,02		



Ofis / Office
 Tel. +90 312 354 05 39
 Fax +90 312 354 34 59
 7. Sokak No: 9
 Ostim / ANKARA
 e-mail: info@kozmaksan.com.tr

Fabrika / Factory
 Tel. +90 312 267 39 71
 Fax +90 312 267 38 72
 AOS. 1. OSB. Erkunt Cad. No: 6
 Sincan / ANKARA
 Website: www.kozmaksan.com.tr