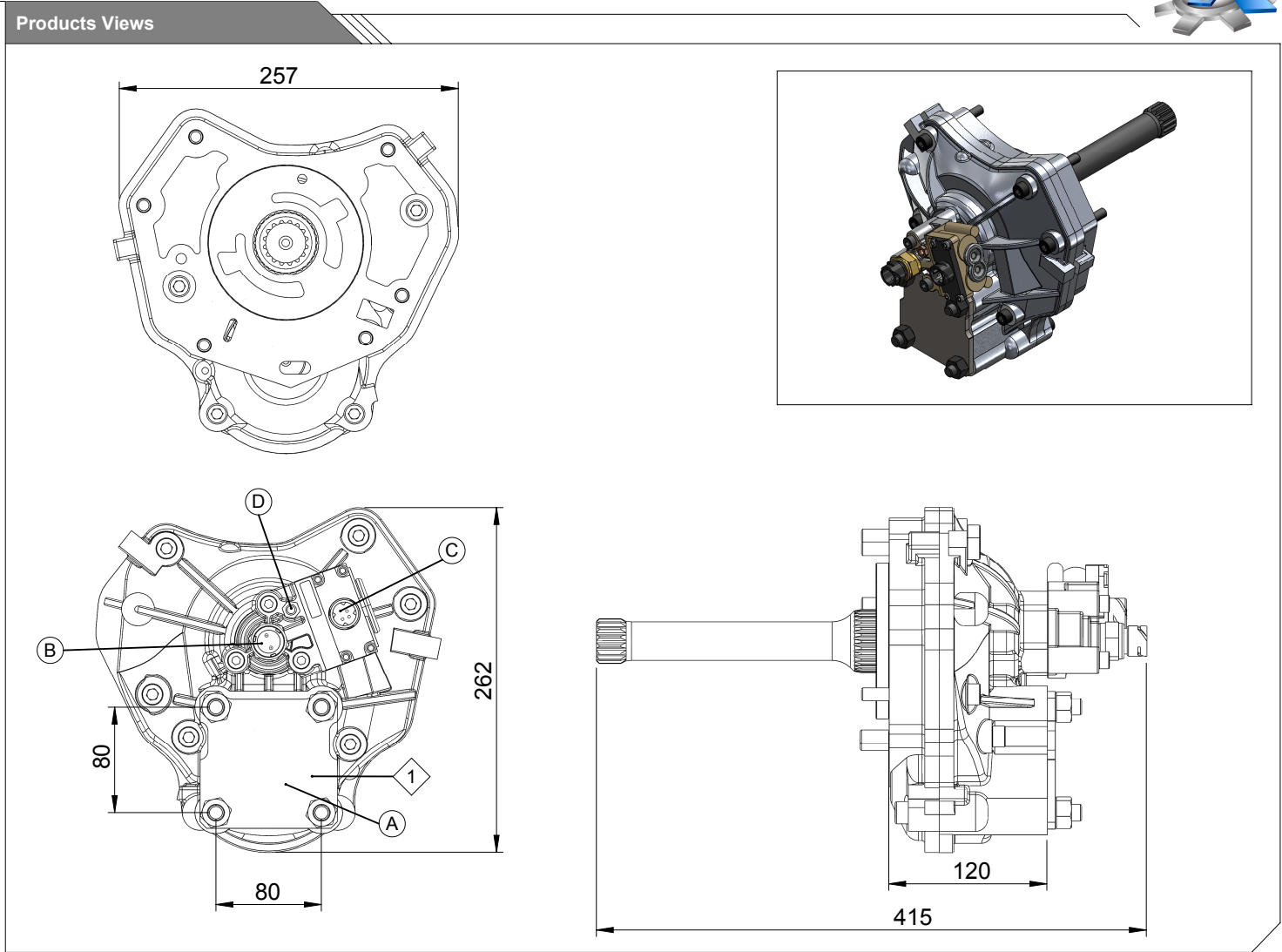


Vehicle Type	MERCEDES AXOR-ACTROSS DAMPER VE TANKER KAMYONLARI İÇİN MERCEDES AXSOR-ACTROSS FOR DUMPER AND TANKER VEHICLE
Gearbox Type	G 210,211,240,260- 16(17.03-11.9.75) G221-9 (16.02) G131-9

Product Code	MB.9.240
---------------------	-----------------



Component Details	
A: Output B: Engage/Disengage Sensor C: Pressure Valve D: Air Inlet	

Technical Details						
Outputs	Power	Maximum Torque		Input/Output	Mounting Side	Control Type
	kW	Nm	kgm			
1	42	400	40	1/1.03	Rear	Pneumatic
2					Weight	Sense of Rotation
3					12,5 kg	Opposite of Input