

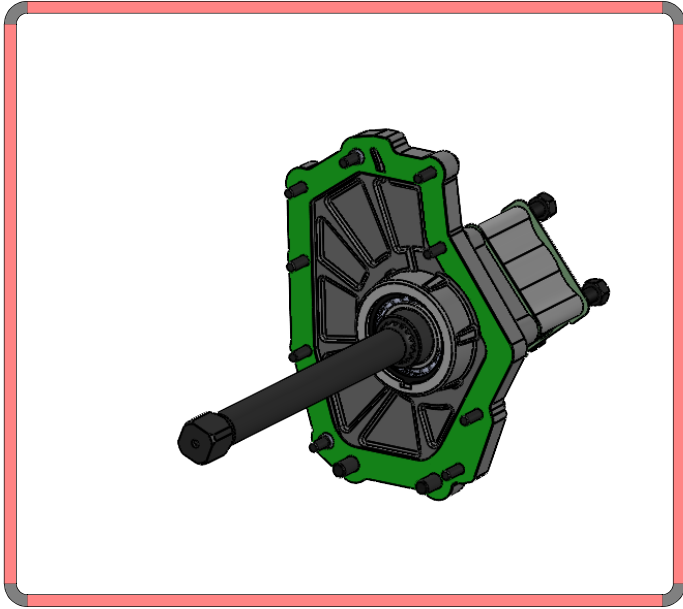
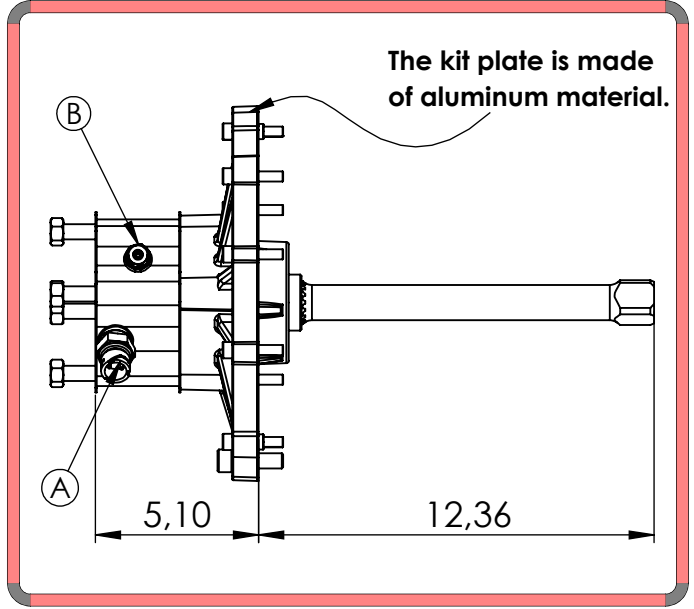
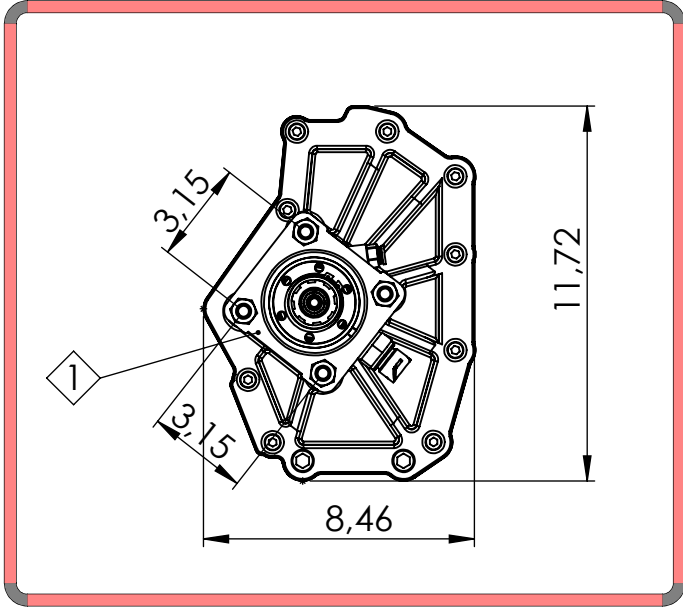
VEHICLE TYPE

Scania

TRANSMISSION CODE

G25CM-G33CM

This product is made to increase movement. PTO. PTO shaft moves from the main transmission and provides Motion transmission via a single axis. The incoming movement is transmitted to the PTO. PTO transmits the movement to the equipment used by the bodybuilder.



1	ISO 4 Hole (DIN 5462) Output
A	Enabled-Disabled Sensor
B	Air Inlet

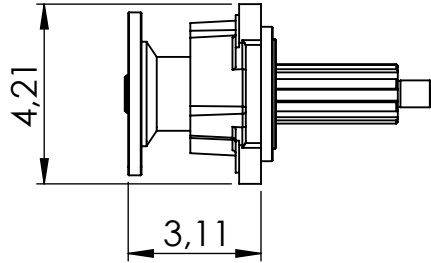
TECHNICAL VALUES

	MAX VALUES	RATIO	WORKING RPM RANGE (MAX)
①	42 Kw - 401Nm	1/1	

* Output Power ; The rpm and output power may vary. Contact Kozmaksan for exact working values.

Optimum Working Temperature	25-80°C	WEIGHT	7,5 kg / 16,50 lb
Short-term Working Temperature	80-90°C	BODY MATERIAL	GE G-AISI10Mg US A-360 TR Etial-171
Risky Working Temperature	OVER 90°C	OIL TYPE & AMOUNT	-

Output Options



KIT.55.04.UF

Connection Type	ISO-->UF
Kw - Nm Values	32 Kw - 305 Nm

C06-045	C06-076	C06-082
ISO 7647-SAE 1300x4x10	ISO 7646- 100x6x8	ISO 7647-SAE 1100x4x8