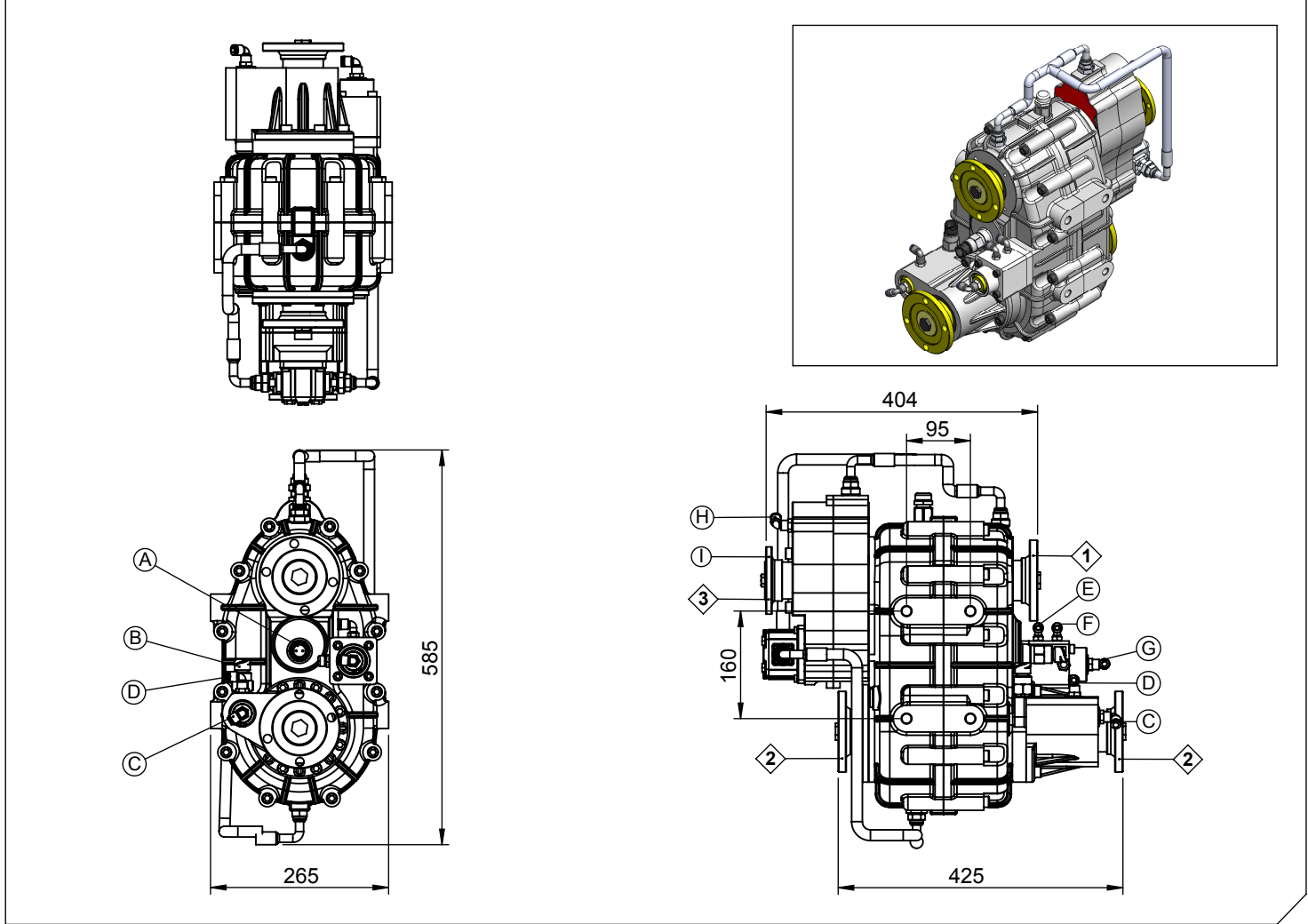


Vehicle Type	3.5-5 TON LIGHT 4X4 VEHICLE
Gearbox Type	4X4 DIF. LOCKED DOUBLE CYCLIC SPLIT SHAFT FOR FIRE FIGHTER VEHICLE (3 AXIS HEAVY-FAST-EMPTY)

Product Code	UARA.305
---------------------	-----------------



Products Views



Component Details

<p>A : Electric Switch (Rpm Accounter) B : Electric Switch (Engage-Disengage) C : Air Inlet (PTO Differential Lock Engage) D : Air Inlet (PTO Differential Lock Disengage) E : Air Inlet (High Rpm Engage) F : Air Inlet (Low Rpm Engage) G : Air Inlet (Free Position)(With E At The Same Time) Air H : Inlet (Pomp Output-Engaged) I : PTO Output (Flange-ISO-UNI) Optional Mounting</p>	
--	--

Technical Details

Outputs	Max. Power	Max. Torque		Input/Output	Mounting Type	Control Type
	KW	Nm	kgm			
1	178	1700	175	1/1	Split Shaft	Pneumatic
2	178	1700	175	1/0.85 1/0.257		Weight
3	60	573	58.4	1/1	80 kg	CCW (Counter-Clockwise)



Ofis / Office
 Tel. +90 312 354 05 39
 Fax +90 312 354 34 59
 7. Sokak No: 9
 Ostim / ANKARA
 e-mail: info@kozmaksan.com.tr

Fabrika / Factory
 Tel. +90 312 267 39 71
 Fax +90 312 267 38 72
 AOS. 1. OSB. Erkunt Cad. No: 6
 Sincan / ANKARA
 Website: www.kozmaksan.com.tr