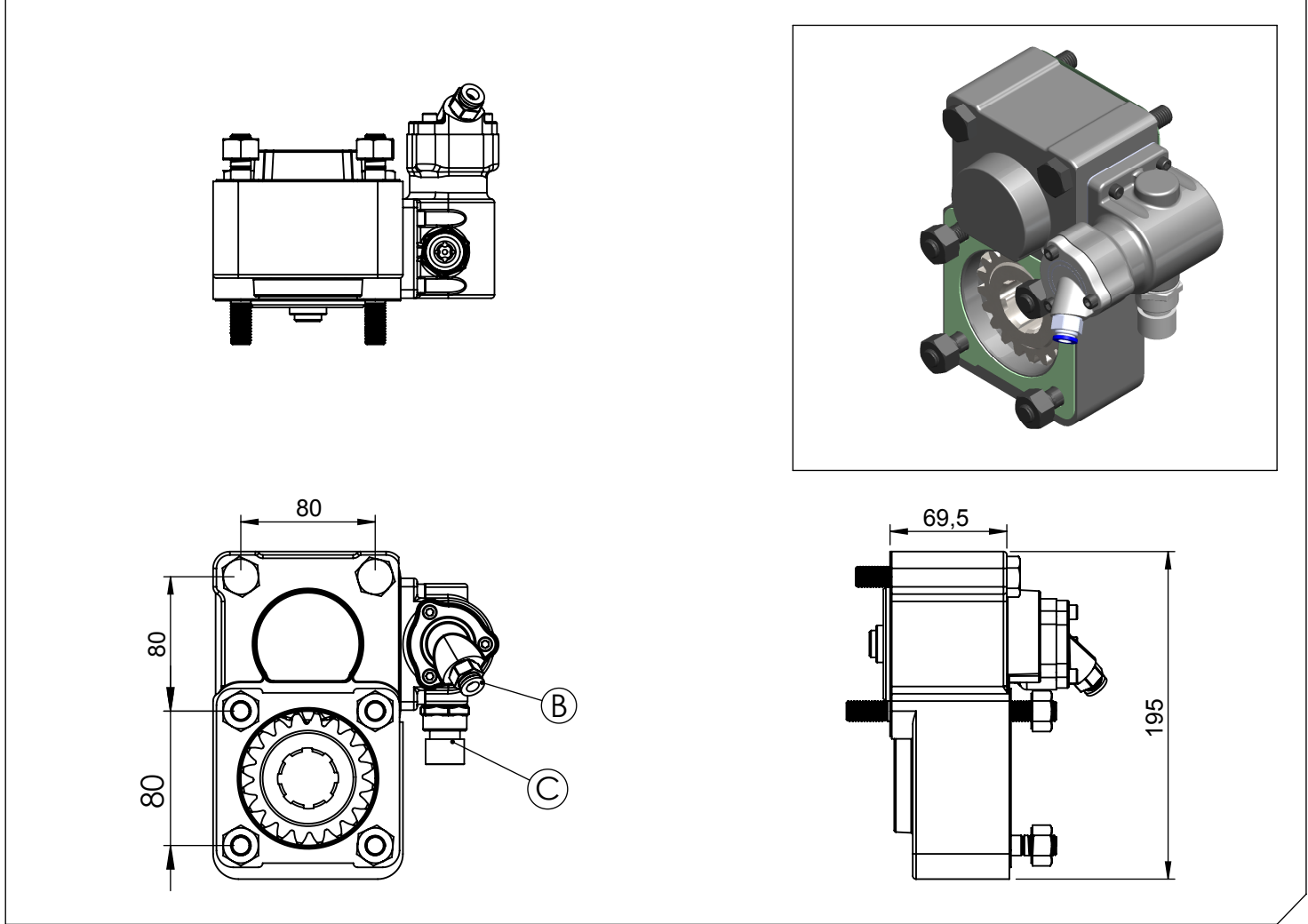


Vehicle Type	MAN / MERCEDES / BMC PROFESYONEL / FORD CARGO / CHRYSLER HINO / DODGE / FARGO / IVECO / DAF / DAEWOO / RENAULT
Gearbox Type	ZF 16S251-221-151-150-130 ZF S5/AK/S6-120-111-110-92 GP ZF S5/AK 6S-90-80-70-66-65-55-50-42-36-35 / ZF 9S75/9S109/16S109 6 S 800 TO / 6 S 1000 TO / 6S 1200 TD / 6 AS 800 / 6 AS 1000 / 6 AS 1200 9 S 1110 / 9 S 1115 / 9 S 1310 / 9 S 1315

Product Code	ZF.3
---------------------	-------------



Products Views



Component Details

A: Drive flange
PTO Output (Standart DIN 5462 8x32x36 ISO 4 Bolt)
Direct mounting UNI 3 bolt mtg.adapter
B: Air Inlet R1/4"
C: Passing Contact Switch

Technical Details

Power	Maximum Torque		Input/Output	Mounting Side	Control Type
	kW	Nm			
32.85	313.9	32	1/1.2	Rear PTO	Pneumatic
				Weight	Sense of Rotation
				12 kg	Opposite of Input